

Thanks for purchasing this Cornerstone Series® product. By combining parts from Cornerstone Modulars sets (each sold separately), you can build almost any brick industrial structure your layout requires. Please take a few minutes to read these basic assembly tips for all sets. All parts are styrene plastic, so use compatible glue; parts are molded in color, but can be painted with plastic-compatible paints if desired.

**TOOLS**

- Hobby Knife with New Blade
- Liquid Cement for Styrene Plastics
- Small Applicator Brush
- Fine Sandpaper



**GETTING STARTED**

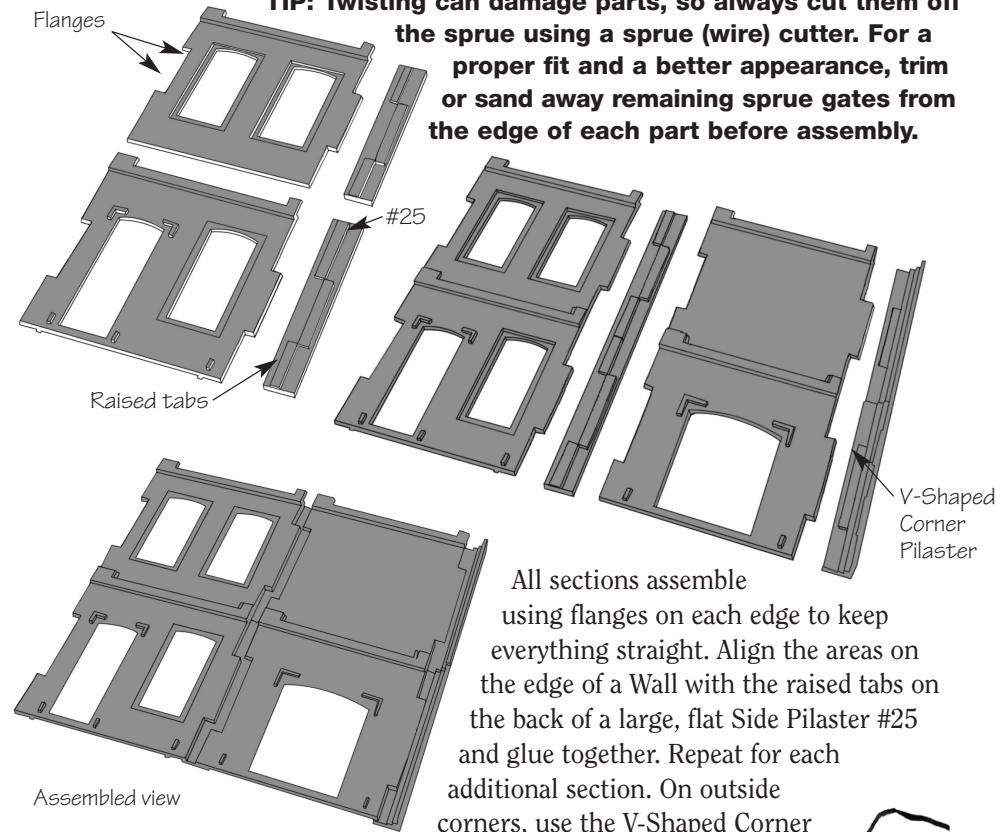
You're the boss on this construction project, so let's start with a plan for your new building. To fit a specific layout space, measure the width, length and height available. For a custom structure, make a rough sketch of your idea. You can also work from prototype photos – doors and windows are standard sizes that can help you determine how big the actual structure is. Scale drawings and plans from magazines can also be used.

Once you have a basic idea, see your dealer or visit [walthers.com](http://walthers.com) for your free Cornerstone Modulars Planning Template. With full-size N Scale drawings of the major parts you'll need most often, it's a quick and easy way to design buildings. You can also glue template pieces on thin cardboard and tape or glue them together to make a 3-D mockup of your structure.

To help you identify the parts you'll need, and which sets they're included in, see the complete list of current Cornerstone Modulars items at the end of these instructions.

**BASIC WALL ASSEMBLY**

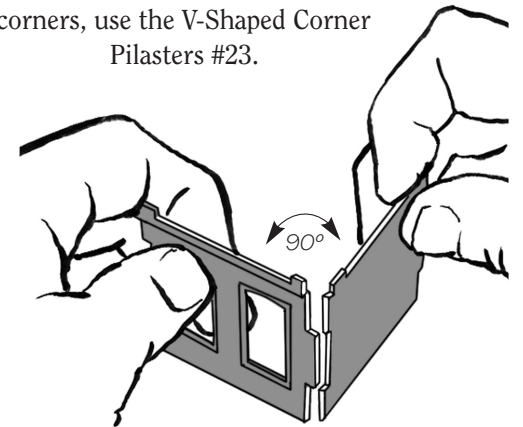
**TIP: Twisting can damage parts, so always cut them off the sprue using a sprue (wire) cutter. For a proper fit and a better appearance, trim or sand away remaining sprue gates from the edge of each part before assembly.**



All sections assemble using flanges on each edge to keep everything straight. Align the areas on the edge of a Wall with the raised tabs on the back of a large, flat Side Pilaster #25 and glue together. Repeat for each additional section. On outside corners, use the V-Shaped Corner Pilasters #23.

**TIP: Walls can be mixed and matched to put windows and doors anywhere they're needed. Two Small Walls with a Pilaster in the center are the same width as one Large Wall.**

For L-Shaped buildings, hold the walls at a 90° angle and glue from the inside.

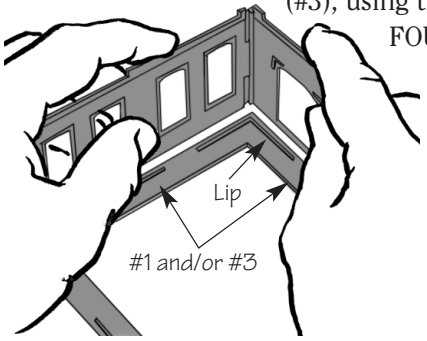


## BASES

To align finished wall sections, glue to the Large Base (#1) and/or Small Base (#3), using the raised lip on top as a guide. Or, glue the FOUNDATIONS to the Base first – see below.

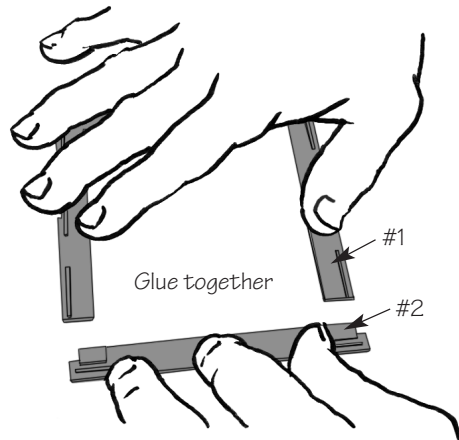
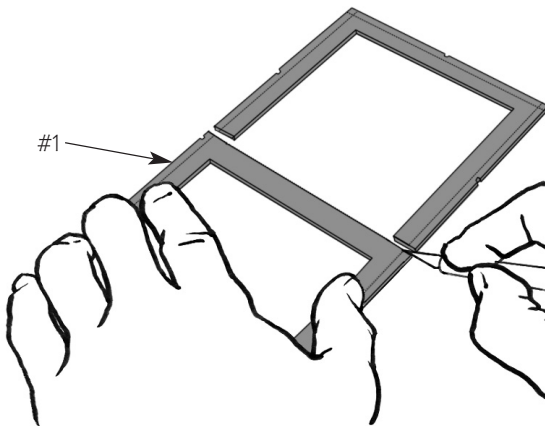
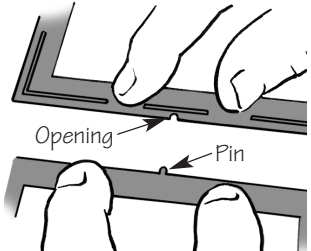
Base sections can be combined for longer or wider structures. To maintain proper spacing, use the molded cut line on the bottom and remove the outside edge of each Base. Glue these modified sections together. To add a Small Base (#3), simply align the pin with any

opening on the Large Base and glue together.



Large Bases can also be cut in half to make two square bases, using the center cut line on the bottom. The solid

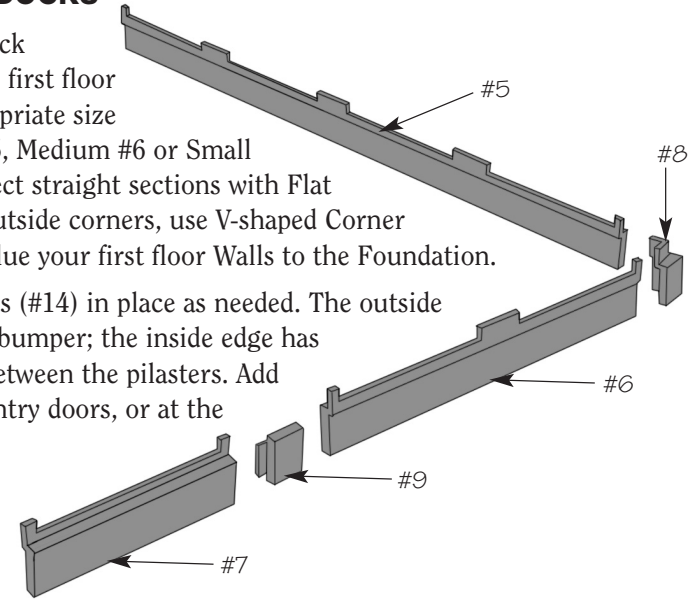
square can be used as-is; to use the remaining half, glue a Base Partition (#2) to the open end.



## FOUNDATIONS & DOCKS

Adding a railcar or truck unloading dock on the first floor is easy. Glue the appropriate size Foundations (Large #5, Medium #6 or Small #7) to the Base. Connect straight sections with Flat Connectors (#9); on outside corners, use V-shaped Corner Connectors #8. Now glue your first floor Walls to the Foundation.

Glue the Dock Sections (#14) in place as needed. The outside edge has a full-length bumper; the inside edge has tapered ends that fit between the pilasters. Add Stairs (#12 or 13) at entry doors, or at the edge of the dock.

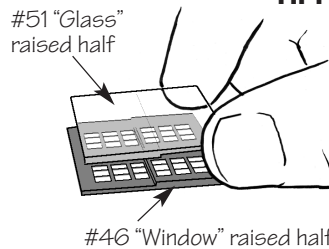


## ADDING WINDOWS AND DOORS

### Installing "Glass"

**TIP: When adding Windows and Glass, be sure the raised areas are in the correct position!**

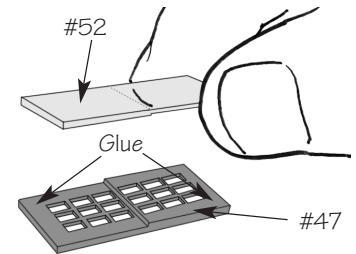
**On Windows, the raised half is the bottom. On clear pieces, the raised half is the top.**

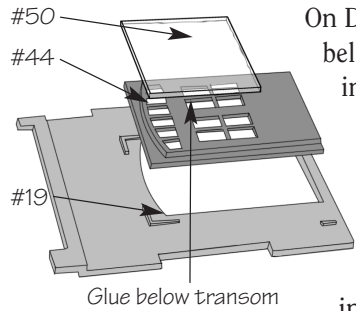


Start by installing clear plastic glazing on the back of each Window and Door. To avoid damage, use white glue that dries clear. For more permanent mounting, use plastic model cement. Align the glass and gently press into place to avoid smears. Or, model a bricked-over window using the Brick Window Inserts (#22 in Large Walls set).

On Single Windows (#47), apply a tiny drop of glue at the top and bottom on the back; install the Small Window Glass (#52).

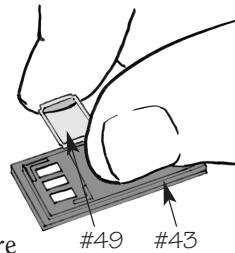
On Large Windows (#46), apply a tiny drop of glue in the middle of the flat area on the back; install the Large Window Glass (#51).





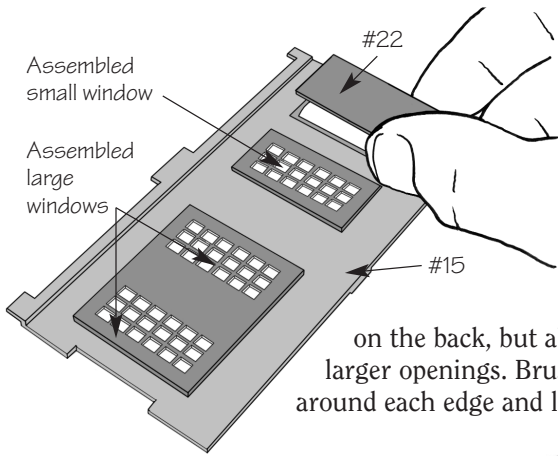
On Double-Wide Doors (#44), apply a tiny drop of glue below the transom and below the window openings; install the Double-Wide Door Glass (#50).

On Standard Doors (#43) apply a tiny drop of glue in the open areas at the upper left and lower right of the window opening: install the Standard Door "Glass" (#49) inside the raised lip.



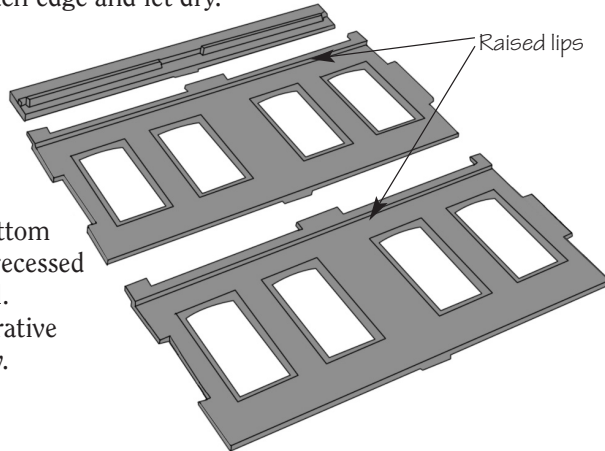
### Installing Windows & Doors in Walls

Next, insert completed Windows on the backs of walls (make sure they're aligned correctly) in the recessed openings. Large Windows (#46) are installed correctly when the part number is at the top of the window opening. Brush a little glue around each edge and let dry.



**TIP: All Windows are the same basic size so you can use spares in any opening - Small Windows fit Large Walls; Large Windows fit the double opening in Small Wall #17.**

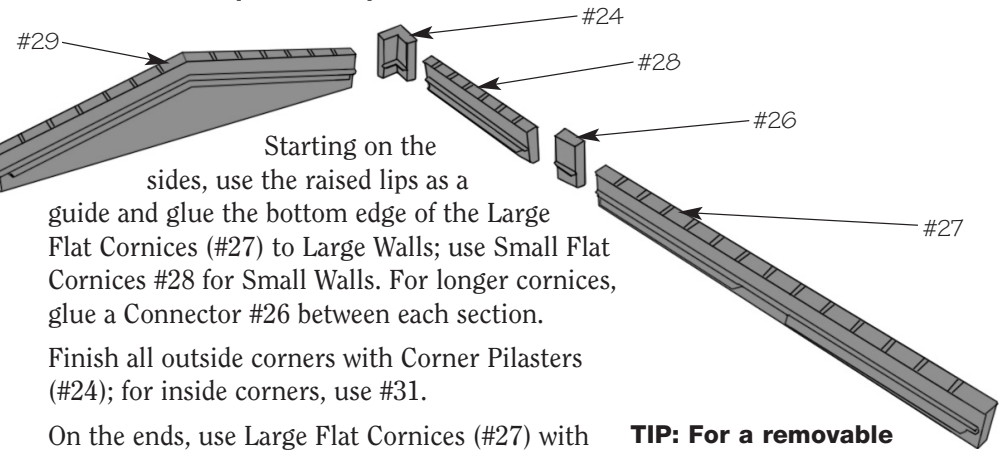
Entryway (#43 or 44) and Freight Doors (#45) also install on the back, but align on raised lips around their larger openings. Brush a little glue around each edge and let dry.



### MULTI-STORY BUILDINGS

Wall sections can be stacked to make taller buildings. Using the raised lips as a guide, glue the bottom edge of each upper wall into the recessed area on top of each first floor wall. Complete the top floor with decorative Brick Trim (Cornices) - see below.

### BRICK TRIM (Cornices)



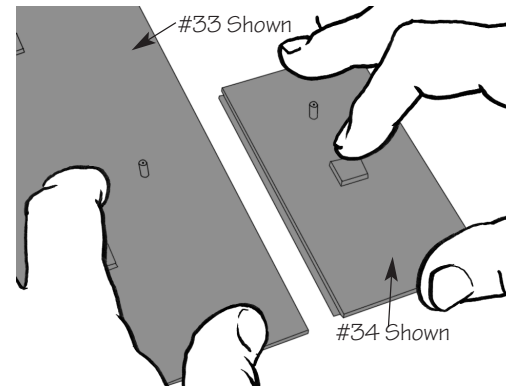
Starting on the sides, use the raised lips as a guide and glue the bottom edge of the Large Flat Cornices (#27) to Large Walls; use Small Flat Cornices #28 for Small Walls. For longer cornices, glue a Connector #26 between each section.

Finish all outside corners with Corner Pilasters (#24); for inside corners, use #31.

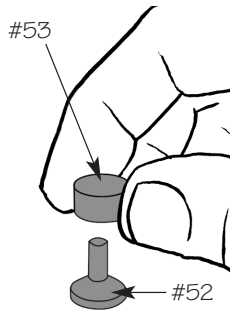
On the ends, use Large Flat Cornices (#27) with Flat Roofs, or Peaked Roof Cornices (#29) with Peaked Roofs.

**TIP: For a removable roof, simply set it in place on the raised ledge on the inside of the cornices .**

### ROOFS AND DETAILS



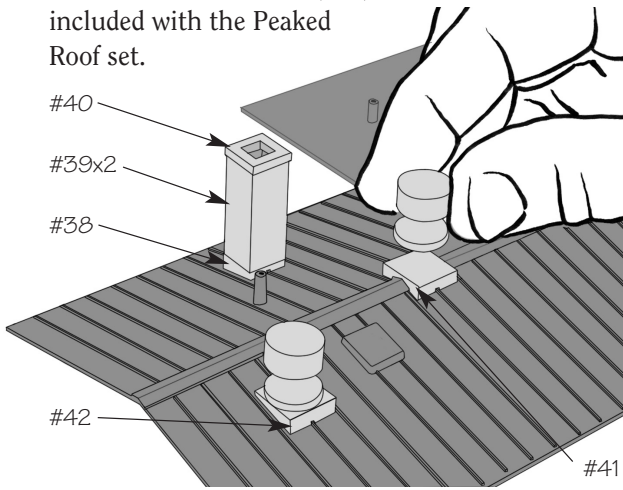
Glue the Roof (#32, 33 or 34) to the raised ledge on the inside of the Cornices. For longer buildings, cut lines are provided at the end of each Large Roof to match the profile of a completed wall. A molded cut line is also provided in the center if a shorter roof is needed.



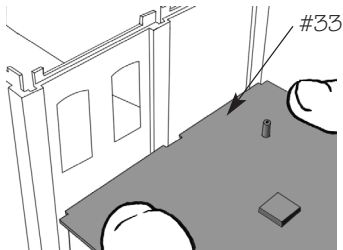
Parts for Monitor Vents (#53 & 54) are included with Roof sets. Parts for Chimneys are included in Roof Sets (Base #38, Cap #40) and Wall Columns & Caps (Chimney Sides #39).

These details can be added anywhere you wish on a Flat

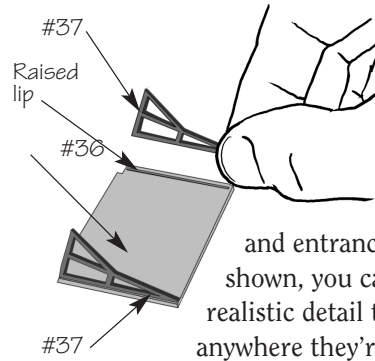
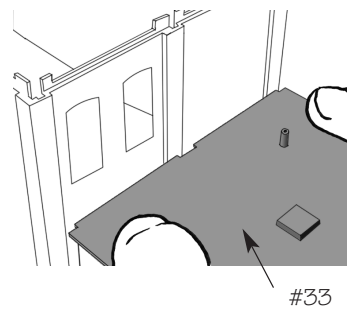
Roof. Special Center-Mount Vent Bases (#41) or Side-Mount Vent Bases (#42) are included with the Peaked Roof set.



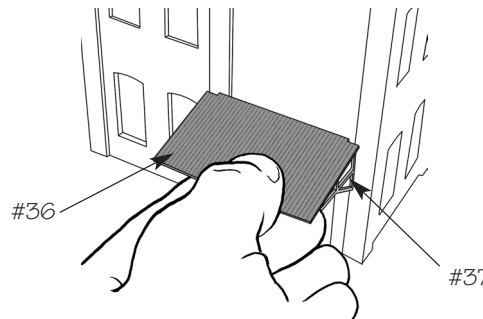
For a smooth transition from Roof to Wall where one- and two-story sections meet, simply cut the end profile of the Large Roof (#33) to match using the molded cut lines as a guide.



For a smooth transition from Roof to Wall where one- and two-story sections meet, simply cut the end profile of the Large Roof (#33) to match using the molded cut lines as a guide.



To protect workers and products from sun, rain or snow, many industries install canopies over freight docks and entrances. Using the parts shown, you can easily add this realistic detail to your models anywhere they're needed.



Canopies for freight doors can be built using the Canopy Supports (#37) included with the Small Walls and Canopy Roofs (#36) in Roof sets.

You can also add your own signs, lights and other items, sold separately.

## CORNERSTONE MODULARS SETS

### CORNERSTONE MODULARS SETS

#### Listing of Parts in Each Set

To help you identify the parts you'll need, and which sets they're included in, here's a complete list of current Cornerstone Modulars items:

#### Flat & Peaked Roofs with Base 933-3280

- 2 Peaked Roofs #32
- 2 Large Flat Roofs #33
- 2 Large Bases #1
- 2 Small Roofs #34
- 2 Small Bases #3
- 2 Chimney Caps #40
- 2 Chimney Bases #38
- 4 Canopy Roofs #36
- 2 Square Base Partitions #2
- 4 Center-Mount Vent Bases #41
- 4 Side-Mount Vent Bases #42
- 8 Monitor Vent Tops #53
- 8 Vent Bodies #54

#### Small Walls, Windows & Doors 933-3281

- 4 Small Walls w/Window Openings #17
- 4 Small Walls w/Double-Wide Door Opening #19
- 4 Small Walls w/No Openings #16
- 2 Small Walls w/Door & Window Openings #18
- 2 Standard Doors #43
- 2 Double-Wide Doors #44
- 4 Freight Doors #45
- 8 Canopy Supports #37

- 12 Small Windows #47
- 12 Pieces Small Window "Glass" #52
- 2 Pieces Standard Door "Glass" #49
- 2 Pieces Double-Wide Door "Glass" #50

#### Large Walls & Windows 933-3282

- 8 Large Walls #15
- 8 Brick Window Inserts #22
- 16 Large Windows #46
- 16 Pieces Large Window "Glass" #51

#### Foundation & Loading Docks 933-3283

- 8 Dock Sections #14
- 16 Corner Connectors #8
- 8 Flat Connectors #9
- 4 Double-Wide Stairs #13
- 4 Standard Stairs #12
- 4 Large Foundation Pieces #5
- 12 Medium Foundation Pieces #6
- 4 Small Foundations Pieces #7
- 4 Railcar Door Foundation Pieces #11

#### Wall Columns & Caps 933-3284

- 12 Side Pilasters #25
- 12 Corner Pilasters #23
- 8 Outside Corner Cornices #24
- 2 Chimney Sides #39
- 4 Peaked Roof Cornices #29
- 6 Large Flat Cornices #27
- 2 Small Flat Cornices #28
- 2 Inside Corner Cornices #31
- 3 Cornice Connectors #26

**Check with your dealer, see the latest edition of Walther's N&Z Scale Model Railroad Reference Manual or our Web site at [walthers.com](http://walthers.com) for more information on the complete line of Cornerstone Modulars and additional details to finish your new building.**